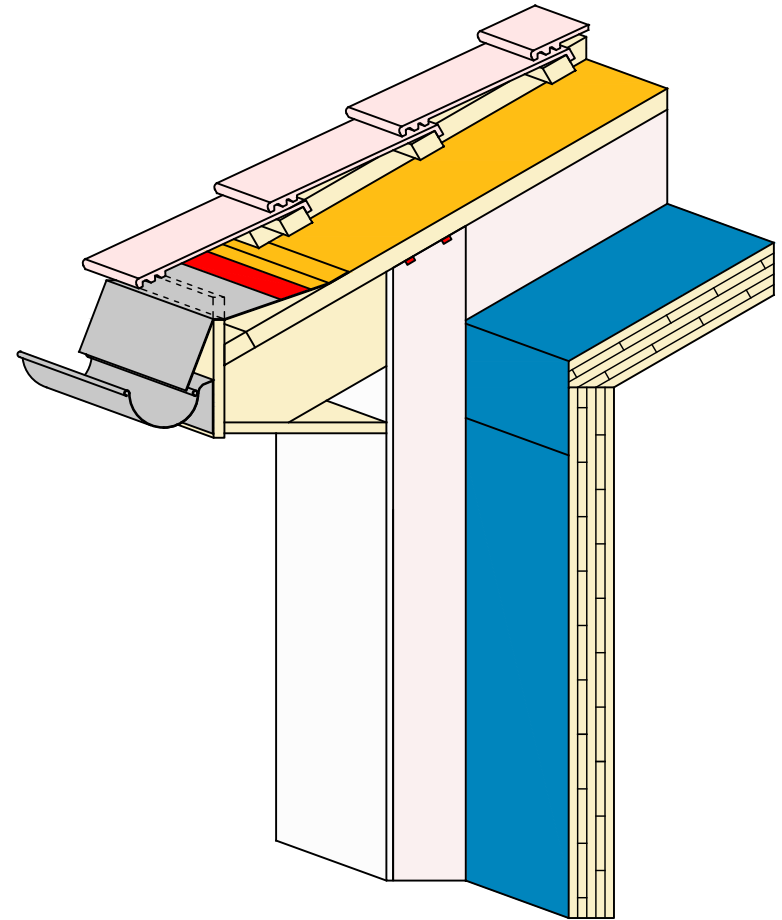
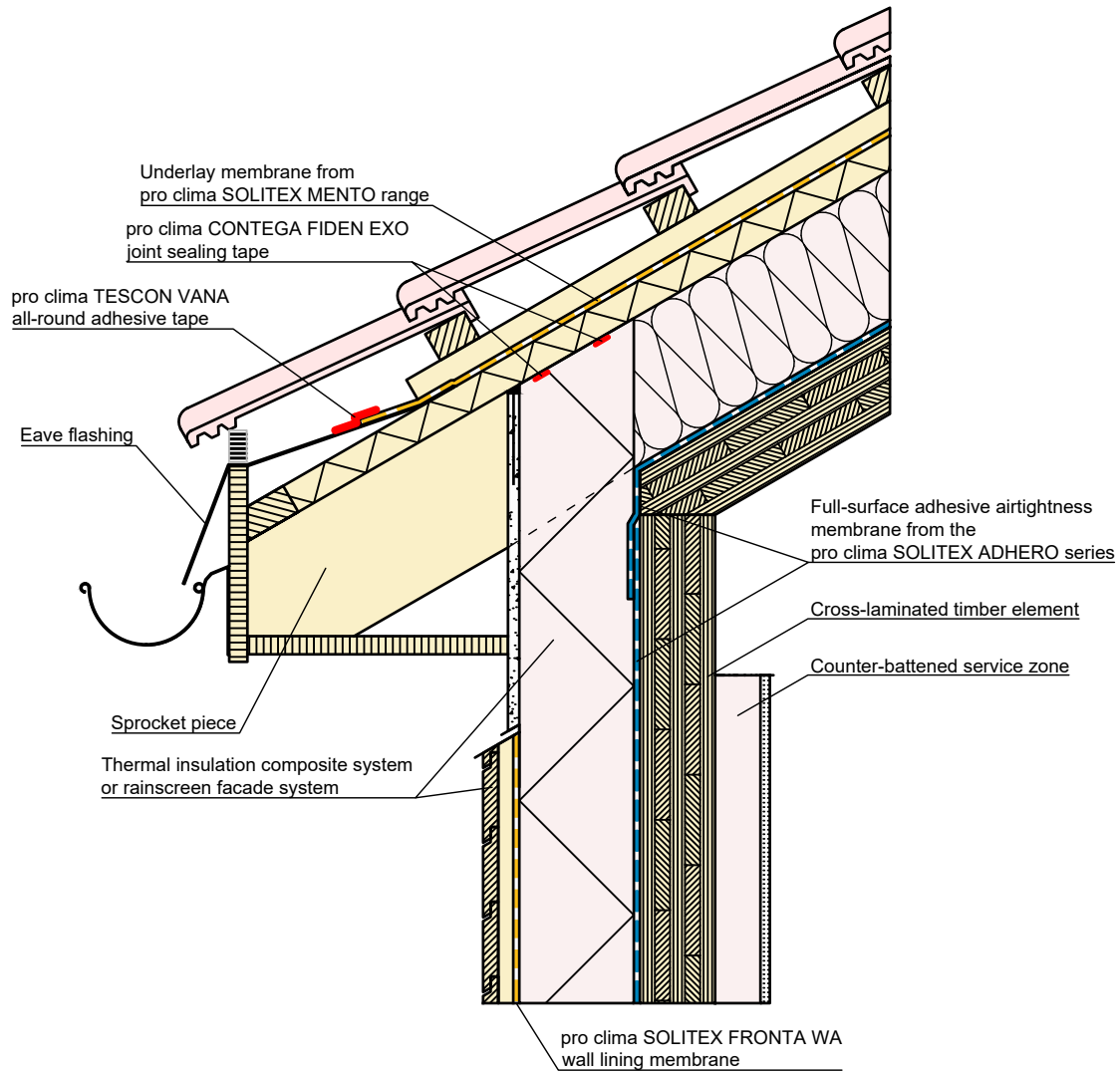


Solid timber construction | Pitched roof | Eaves, TESCON VANA

Airtight sealing on the outside with pro clima TESCON VANA. The cross-laminated timber elements must be manufactured to be airtight.

pro clima ... and the insulation is perfect



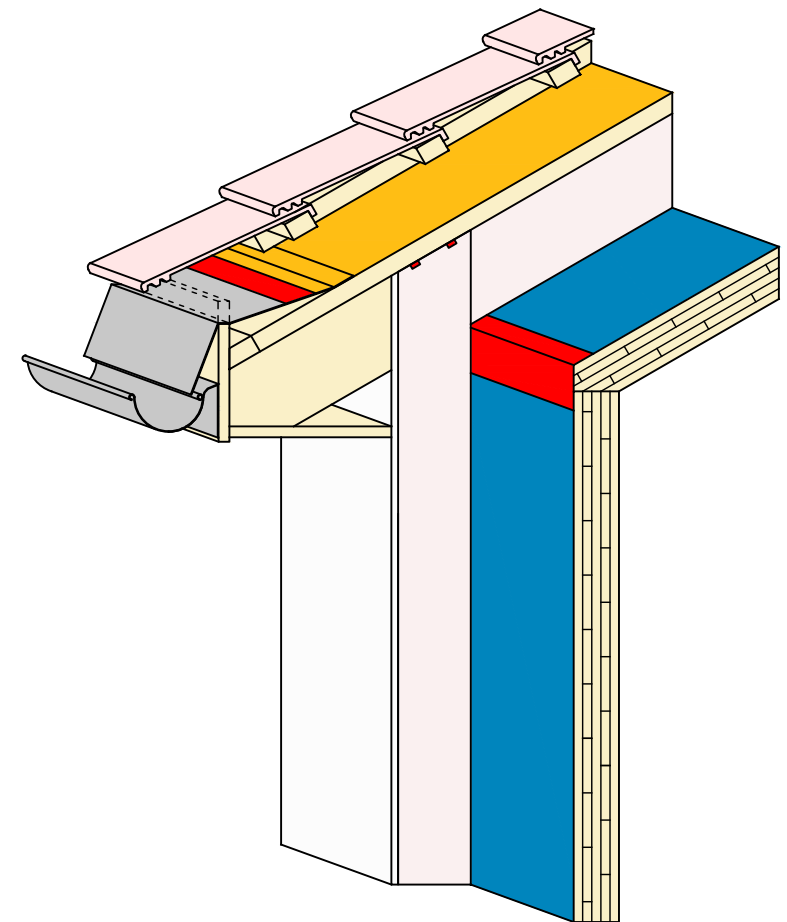
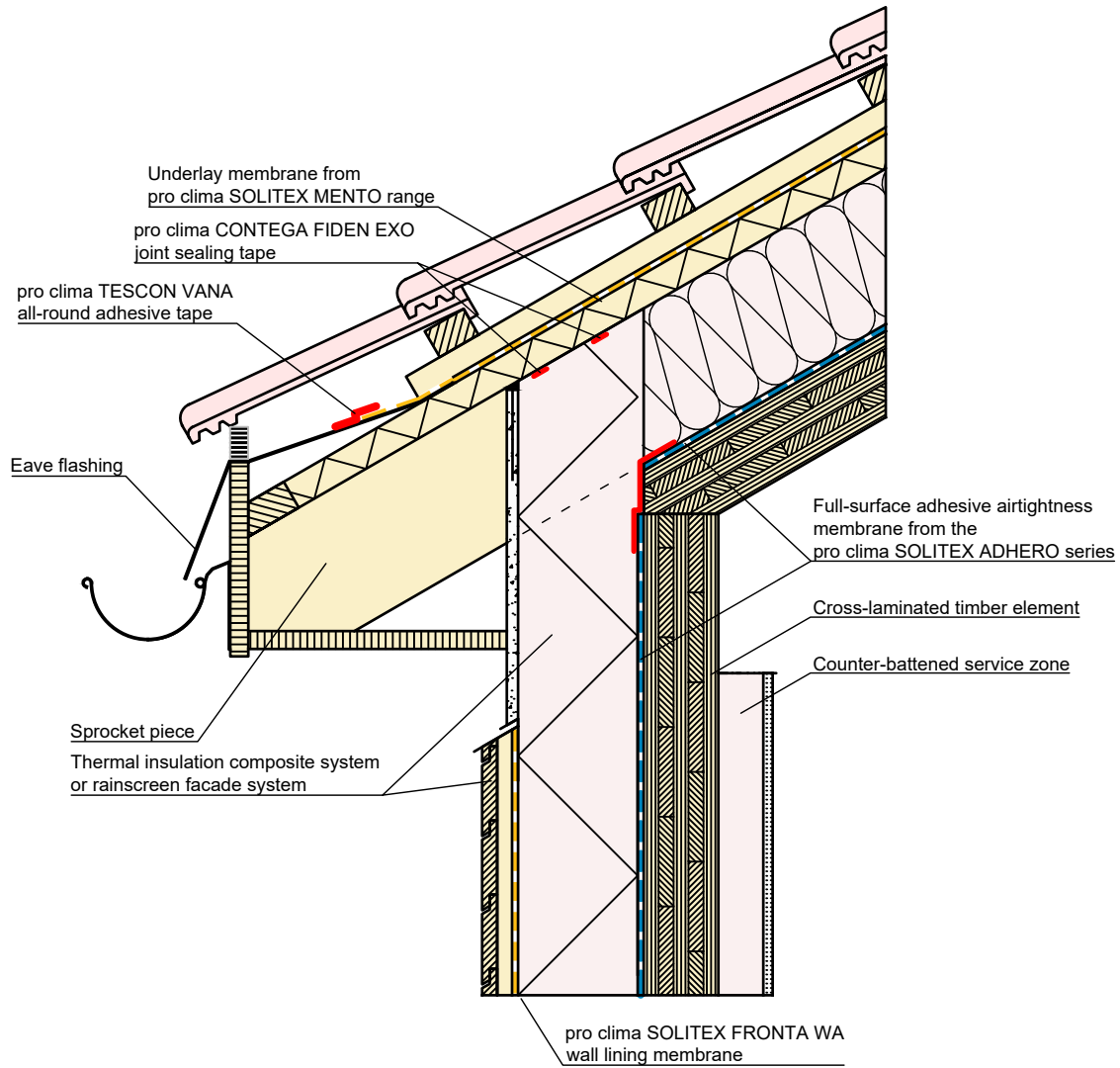


Solid timber construction | Pitched roof | Eaves, SOLITEX ADHERO | Var. 1

Variant 1: Airtightness with pro clima SOLITEX ADHERO. The transition between the eaves and the wall element is covered with SOLITEX ADHERO.

pro clima ... and the insulation is perfect



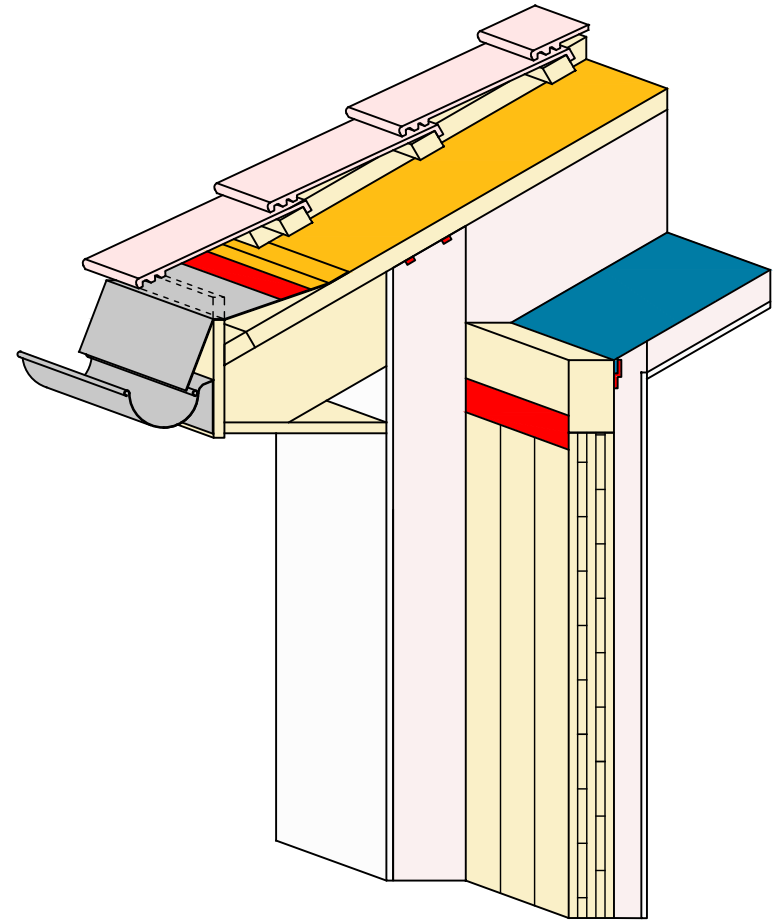
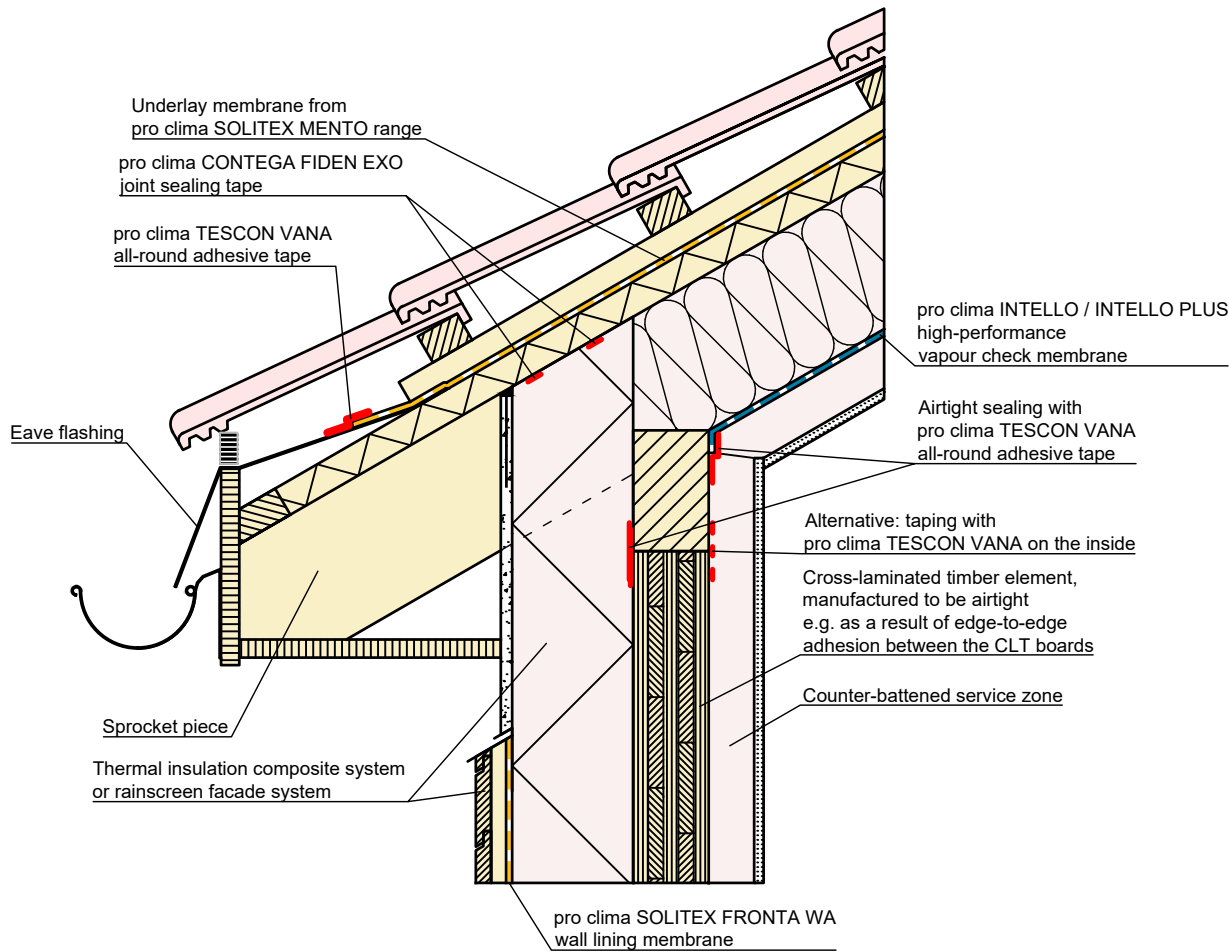


Solid timber construction | Pitched roof | Eaves, SOLITEX ADHERO | Var. 2

Variante 2: Airtightness with pro clima SOLITEX ADHERO. The transition between the eaves and the wall element is implemented with TESCON VANA.

pro clima ... and the insulation is perfect





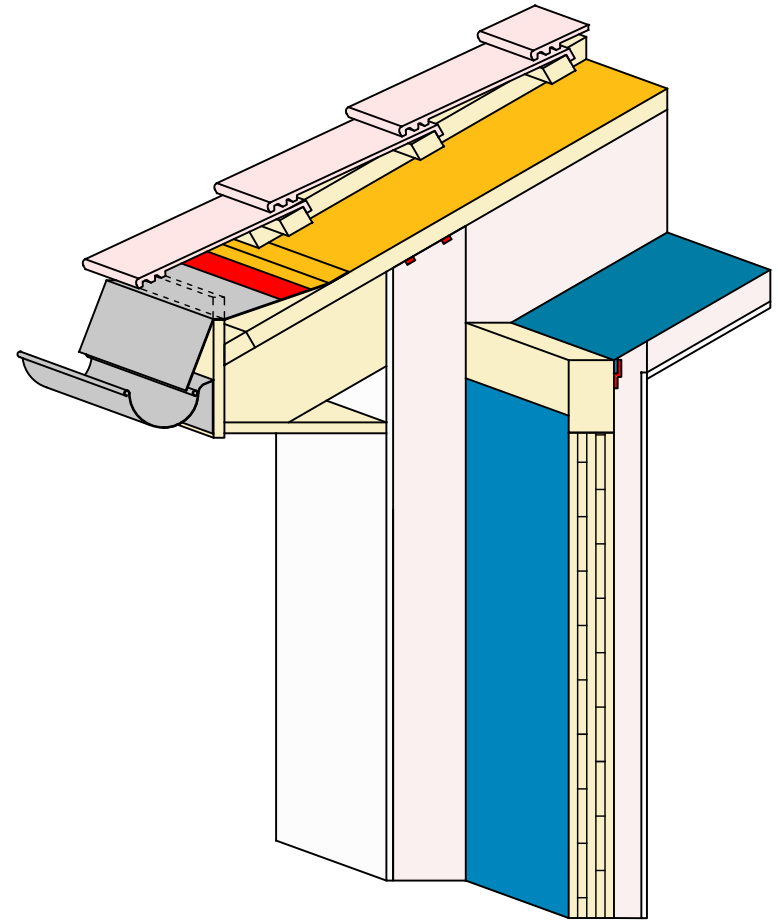
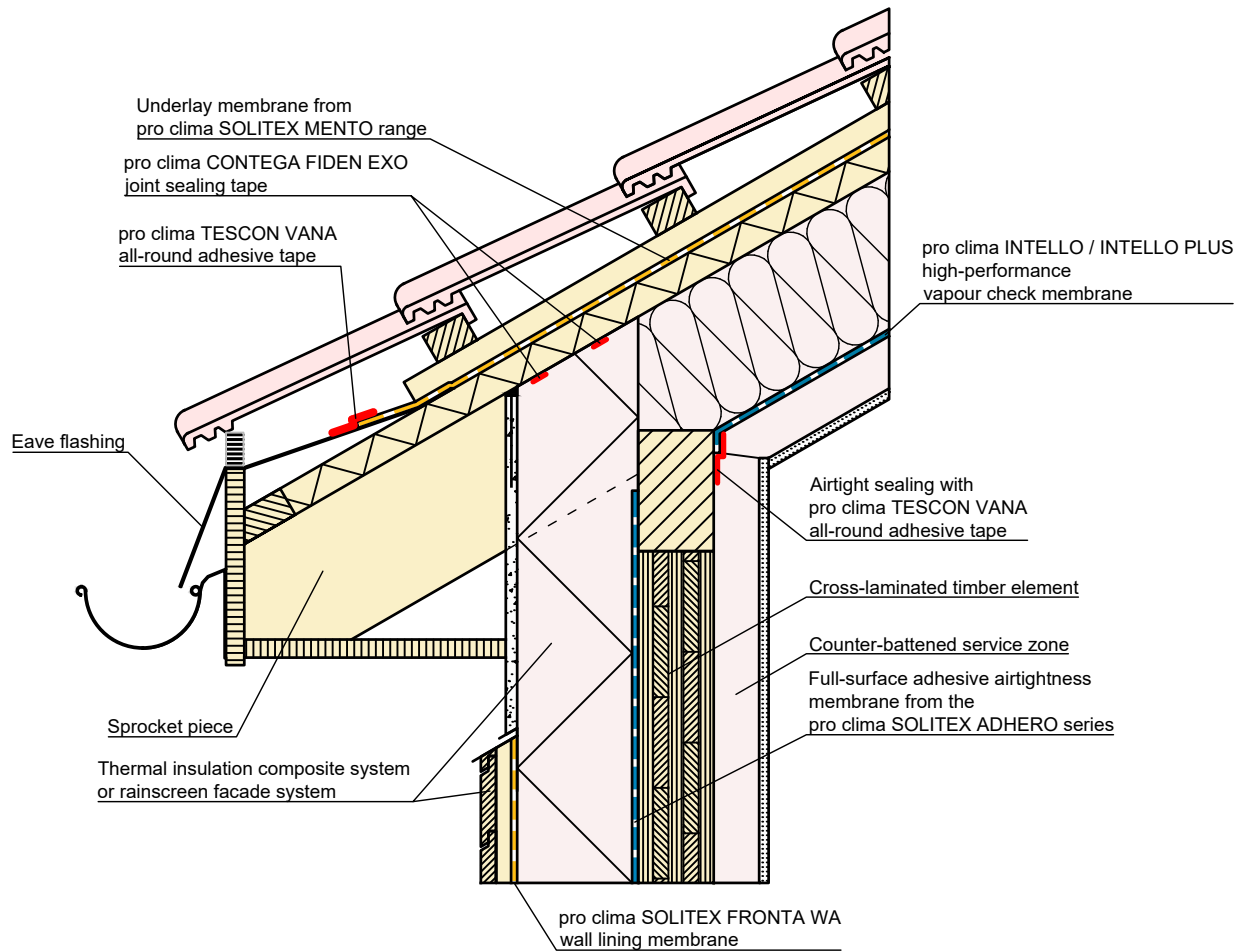
Solid timber construction | Pitched roof with rafters | Eaves, TESCON VANA

Cross-laminated timber element, manufactured to be airtight. Airtightness underneath the roof structure with pro clima INTELLO / INTELLO PLUS.

pro clima ... and the insulation is perfect



Typical structural situation to illustrate the airtightness and windtightness layers. When carrying out planning and performing installation on site, please observe the currently applicable technical regulations and the relevant pro clima recommendations for applications and installation. (German version: 09/21; international version 03/23).



Solid timber construction | Pitched roof with rafters | Eaves, SOLITEX ADHERO

Airtightness with pro clima SOLITEX ADHERO and pro clima INTELLO / INTELLO PLUS. Airtight joint with TESCON VANA.

pro clima ... and the insulation is perfect



Typical structural situation to illustrate the airtightness and windtightness layers. When carrying out planning and performing installation on site, please observe the currently applicable technical regulations and the relevant pro clima recommendations for applications and installation. (German version: 09/21; international version 03/23).